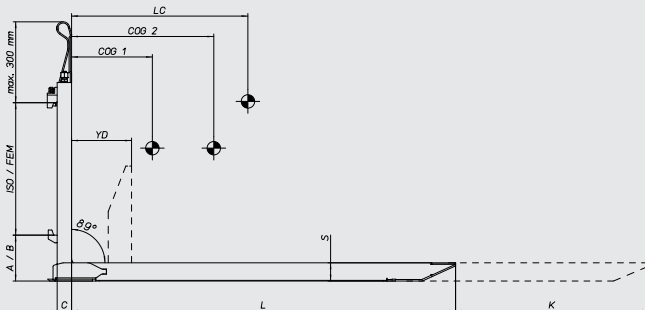
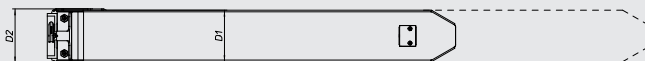


# HYDRAULIC KOOI-REACHFORKS®

Multi-pallet handling



## Multi-pallet handling:

Mainly included on multi-pallet handlers.

- Ideal for handling beverage.
- Cut down time for (un)loading.
- Savings on fuel.

Slim range - mainly included on multi-pallet handlers								
Model	Capacity on LC 600 mm (kg)	Section D1/D2xS (mm)	L / K (mm)	C (mm)	CoG1 (mm)	CoG2 (mm)	Weight per pair (kg)	ISO/FEM
RE2 27 1150/0700	2700	89/81x63	1150/0700	60	445	630	106	2A
RE2 27 1250/0800			1250/0800		490	705	113	
RE2 27 1400/0950			1400/0950		565	825	122	
RE2 37 1150/0700	3700	89/81x73	1150/0700	60	415	575	132	3A
RE2 37 1250/0800			1250/0800		465	650	139	
RE2 37 1400/0950			1400/0950		535	755	151	

Optional:

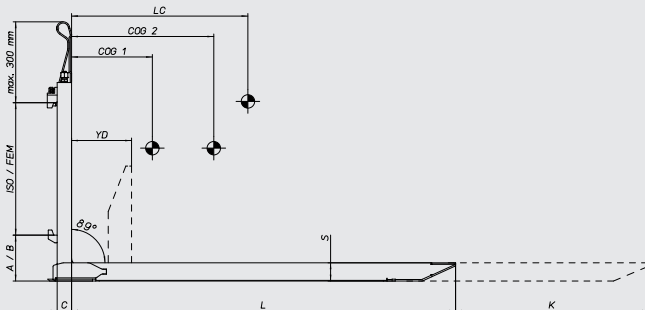
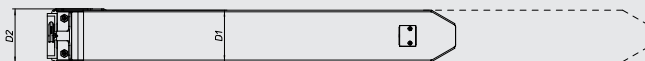
- For equal movement, to operate four pieces of telescopic forks, a gear flowdivider can be offered.

Remark:

- Slim Range forks need a minimum overlap of 450 mm (retracted length-stroke).
- Minimum operating pressure 160 bar, maximum 250 bar.
- Recommended maximum oil flow 25 l/min.
- All forks have a 6 mm thick integrated wear plate (400 HB) under the complete outer sleeves for longer life span.
- For optimal speed and minimum loss of pressure the recommended minimum hose diameter is 8 mm.
- In cold-storage applications KOOI-REACHFORKS® can be used down to -30 degrees Celcius, contact your dealer.
- The lift truck manufacturer must determine the combined KOOI-REACHFORKS® and lift truck capacity.
- Capacities shown are nominal and apply to the forks and not the lift truck. Other capacities and dimensions on request.

# HYDRAULIC KOOI-REACHFORKS®

Multi-pallet handling



## Multi-pallet handling:

Mainly included on multi-pallet handlers.

- Ideal for handling beverage.
- Cut down time for (un)loading.
- Savings on fuel.

### Slim range - mainly included on multi-pallet handlers

Model	Capacity on LC 24" (Lbs)	Section D1/D2xS (In)	L / K (In)	C (In)	CoG1 (In)	CoG2 (In)	Weight per pair (Lbs)	ISO/FEM
RE2 27 1150/0700	5,950	3,5/3,2x2,5	45,3/27,6	2,4	17,5	24,8	230	2A
RE2 27 1250/0800			49,2/31,5		19,2	27,8	250	
RE2 27 1400/0950			55,1/37,4		22,2	32,5	270	
RE2 37 1150/0700	8,150	3,5/3,2x2,5	45,3/27,6	2,4	16,3	22,6	290	3A
RE2 37 1250/0800			49,2/31,5		18,3	25,6	206	
RE2 37 1400/0950			55,1/37,4		21,1	29,7	332	

Optional:

- For equal movement, to operate four pieces of telescopic forks, a gear flowdivider can be offered.

Remark:

- Slim Range forks need a minimum overlap of 15,7 Inch (retracted length-stroke).
- Minimum operating pressure 2320 Psi, maximum 3625 Psi.
- Recommended maximum oil flow 5.5 gal/min.
- Type RE delivered including one hydraulic hose.
- All forks have a 0.24 Inch thick integrated wear plate (400 HB) under the complete outer sleeves for longer life span.
- For optimal speed and minimum loss of pressure the recommended minimum hose diameter is 0.31 Inch.
- In cold-storage applications KOOI-REACHFORKS® can be used down to -13 F° , contact your dealer.
- The lift truck manufacturer must determine the combined KOOI-REACHFORKS® and lift truck capacity.
- Capacities shown are nominal and apply to the forks and not the lift truck. Other capacities and dimensions on request.